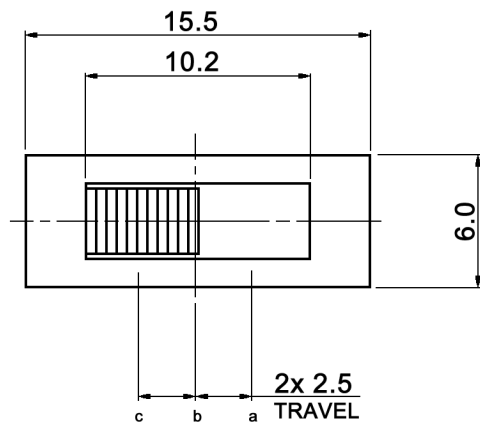
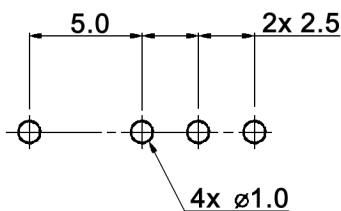


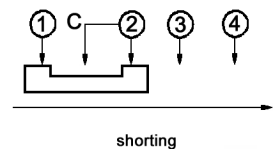
HOLE LAYOUT ± 0.05



Specifications:

- Contact rating: 0.35A, 30V DC
- Contact resistance: 30mOhm max.
- Insulation resistance: 100MOhm min. at 500V DC for 1 minute
- Dielectric strength: 500V AC (50/60Hz, 2mA) for 1 minute
- Operating temperature: -25°C to +85°C
- Storage temperature: -40°C to +85°C
- Mechanical life: 10 000 cycles
- Operating force: a-b c-b: 200 +/-100gf
b-c b-a: 300 +/-150gf
- Soldering conditions: 260 +/-5°C, 5 +/-1sec.
- Material: Contact clip: phosphor bronze, silver plated
Steel ball: carbon steel, natural
Spring: SWC, temper
Slider: POM, black
Terminal: brass strip, silver plated
Base: phenolic resin, natural
Frame: steel, nickel plated

CIRCUIT DIAGRAM
C: COMMON PIN
BOTTOM VIEW



Compliance: RohS III (2015/863/EU)

Tolerances: up to 10: ±0.2mm above 10-50: ±0.3mm	Date	Name
	04/12	dr
Temperatures	10/19	dr
Modifications	Date	Name

MFP 1323

30 26 13

knitter-switch

Page

1/1